

DC COMPRESSED AIR STORAGE TANKS

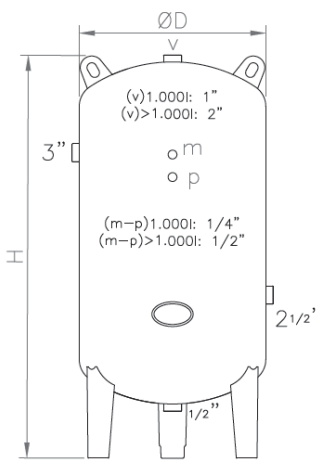


Compressed air storage tanks

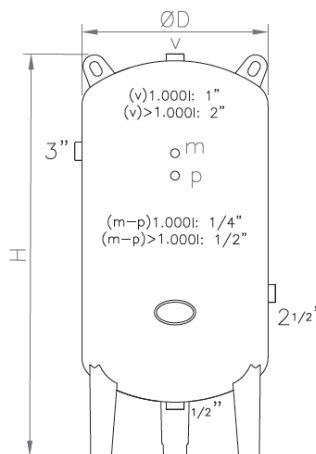
- Manufactured in steel
- Designed for storage compressed air
- External red coating
- Multiple connections
- Man hole
- Manufactured according to 2014/68/EU Directive

Technical specifications

- | | |
|--------------------------|----------------------|
| ▪ Volume: | 1.000 – 7.000 Liters |
| ▪ Max. service pressure: | 10-15 Bar |
| ▪ Test pressure: | 15-22,5 Bar |
| ▪ Temperature max.: | 100°C |
| ▪ Temperature mín.: | -10°C |
| ▪ Multiple connections: | R - G.M. |



Weight (Kg)	Code	Model	Volume (Lts.)	Pressure (Bar)	ØD (mm)	H (mm)	Connection R
294	09910301	1000 DC	1.000	10	800	2.380	1 1/2"
452	09915301	1500 DC	1.500	10	900	2.585	1 1/2"
569	09920301	2000 DC	2.000	10	1.100	2.590	1 1/2"
689	09930301	3000 DC	3.000	10	1.200	3.125	1 1/2"
973	09940301	4000 DC	4.000	10	1.400	3.080	1 1/2"
1.264	09950301	5000 DC	5.000	10	1.400	3.755	1 1/2"
1.766	09970301	7000 DC	7.000	10	1.500	4.335	1 1/2"



Weight (Kg)	Code	Model	Volume (Lts.)	Pressure (Bar)	ØD (mm)	H (mm)	Connection R
500	09910501	1000 DC	1.000	15	800	2.380	1 1/2"
759	09915501	1500 DC	1.500	15	900	2.585	1 1/2"
817	09920501	2000 DC	2.000	15	1.100	2.590	1 1/2"
997	09930501	3000 DC	3.000	15	1.200	3.125	1 1/2"
1.505	09940501	4000 DC	4.000	15	1.400	3.080	1 1/2"
2.010	09950501	5000 DC	5.000	15	1.400	3.755	1 1/2"
2.768	09970501	7000 DC	7.000	15	1.500	4.335	1 1/2"