

CHR HYDRAULIC SEPARATORS THREADED CONNECTIONS

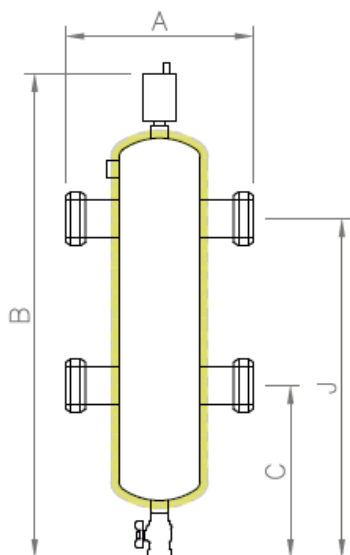


Hydraulic separators with threaded connections. Heating and cooling systems

- Steel body
- 4 threaded connections
- Upper fitting; 1/2"
- Air vent: Brass EN-12165 (de 1/2" M)
- Drain valve: 1/2" discharge vlv with hose connection
- Side connection: 1/2" Female
- Inner Filter: Perforated stainless steel
- Max. % glicol: 30%.
- Colour: Red
- Manufactured according to 2014/68/EU Directive
- 2 year warranty

Technical specifications

- Max. service pressure: 10 Bar
- Test pressure: 15 Bar
- Temperature max.: 110°C
- Temperature min.: 0°C



Code	Model	Volume (Lts.)	Weight (Kg)	A (mm)	B (mm)	C (mm)	J (mm)
18300001	CHR 1"	1,7	3,5	240	615	195	440
18300114	CHR 1 1/4"	2,6	4,8	250	720	255	495
18300112	CHR 1 1/2"	4,8	7,3	275	765	275	535
18300002	CHR 2"	8	11	300	830	290	590

Remark: Optional isolation based on two polyurethane sides and outer aluminium sheet (22 mm thickness)